



PARTS CATALOG



Welcome to GT Supplies, Inc., servicing South Florida's waste industry for over 25 years. GT Supplies operates a 16,000 sq ft. facility in Riviera Beach, Florida specializing in waste equipment repair, parts & delivery and container repair services.

For over 2 decades we have been offering repair/rebuild services to South Florida's waste hauling and container fleet. We are fortunate to employ some of the most knowledgeable minds in the business when it comes to maintaining and repairing this type of specialized equipment, some of whom have been in the business for over 30 years. As a result, GT Supplies has developed a reputation in the South Florida waste industry as being a leader in waste equipment maintenance solutions.

We employ over 20 welder/technicians capable of taking on almost any task. We maintain over 500,000 pounds of various steel products at all times. From 3/16" & 1/4" AR plate to 10, 11, 12 and 14 gauge HR plate to a full line of tubing and channel in various dimensions and thicknesses.

SERVICING SOUTH FLORIDA'S WASTE INSUTRY FOR OVER 25 YEARS



Specialty Container & Parts Manufacturing

In addition to repair work, our manufacturing facility provides innovative parts, specialty containers, container replacement bottoms and container replacement parts. Our manufacturing facility consists of breaks, shears, iron workers, welders, plasma torches, a plasma table and numerous other types of equipment used in the metal processing trade.

Part Sales

GT Supplies is a primary source of Waste Equipment Replacement Parts for waste haulers in South and Central Florida. We maintain South Florida's largest container parts inventory, including Lids, Rollers, Casters as well as Roll Off & Grapple Truck Replacement Parts. We manufacture and stock replacement bottoms for front end load containers in 10ga., 11ga. and 12ga. materials.

ROLL OFF PARTS



ROLL OFF PARTS

REPLACEMENT SKIRTS

GROUND ROLLERS

ROLL OFF PARTS

Roll Off Hook: ROP 101



Door Striker: ROP 104



Nose Roller Bracket: ROP 103



Rail End: ROP 108



Roll Off Hook Plate : ROP 105



Door Hinge: ROP 107



ROLL OFF PARTS

Door Handle 12": ROP 109



Door Handle 17": ROP 118



3/8" Chain Keyhole: ROP 180



Hook Cover: ROP HC



Roller Bracket 8": ROP 141-8



Roller Bracket 6": ROP 141



ROLL OFF PARTS

Nose Rollers



Solid Machined Steel Roller

- Includes axles
- 4" x 4" and 4" x 6"
- Axle lengths of 6.5" and 8.25" available

Ground Rollers



Durable Ground Rollers with Steel Axle

- Axle is made of Carbon Steel
- Rated at 40,000lbs weight capacity
- Available in:
 - 6" D x 9" W
 - 8" D x 4" W
 - 8" D x 6" W
 - 8" D x 8" W
 - 8" D x 10" W

Roll Off Gate Pins



- 3 1/4" Long
- 3/4" Diameter

Welded Roll off Gate Chain



- 3/8" Chain
- Includes Pin & Cotter Pin for Door Latch

ROLL OFF PARTS

Standard size pre-fabricated replacement door channels



- 11 gauge HR Steel
- 3" x 6" formed door channel
- 96" Long



- 11 gauge HR Steel
- 3" x 6" formed door channel with 1" lip
- 96" Long

Standard size pre-fabricated replacement skirts



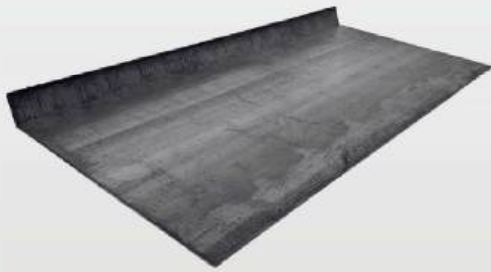
- 11 gauge HR Steel
- 16" x 120"
- 4" formed side at 35 degrees



- 11 gauge HR Steel
- 8, 12 & 16" Wide
- 120" Long

ROLL OFF REPLACEMENT FLOORS

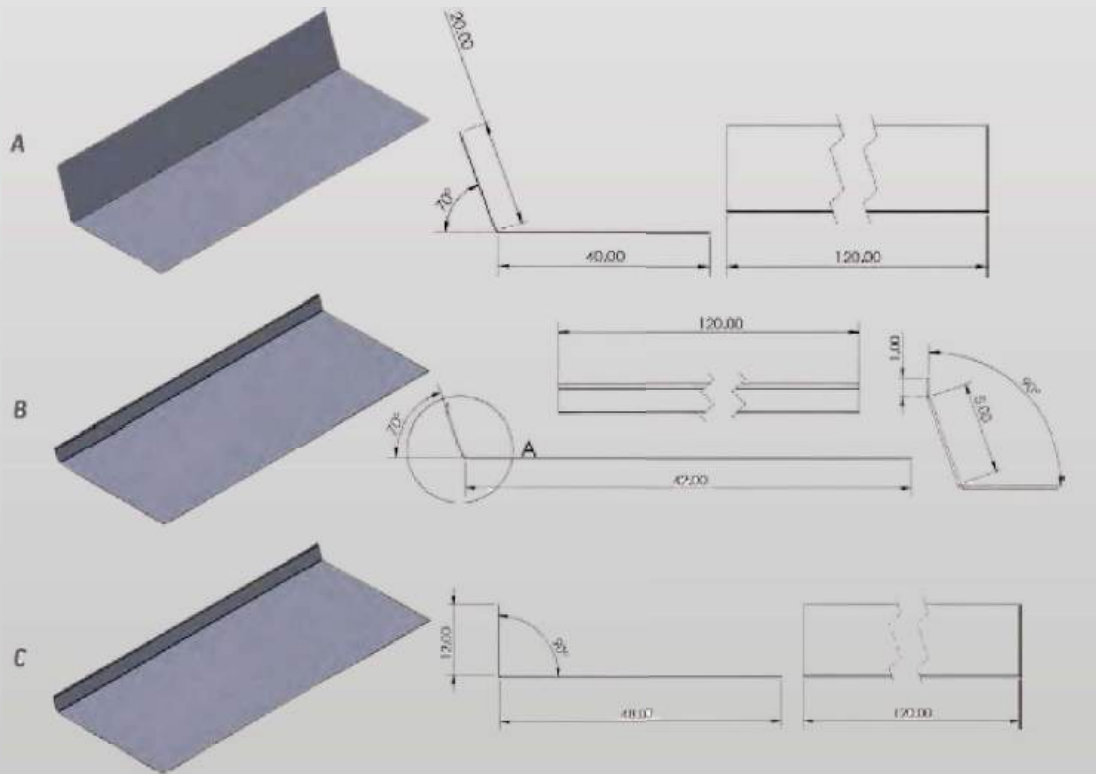
Standard size pre-fabricated replacement floors



Dimensions: 60" x 120" Roll Off Tray
70 Degree Bends @20"
4 Pieces

Dimensions: 48" x 120" Roll Off Tray
70 Degree Bends @42" & 90 Degree
bend @ 47"
4 pieces

Dimensions: 60" x 120" Roll Off Tray
90 Degree Bends @48"
4 Pieces



CONTAINER PARTS



CONTAINER LIDS

CONTAINER REPLACEMENT BOTTOMS

CASTERS & WHEELS

CONTAINER PARTS AND ACCESSORIES

CONTAINER LIDS

IMPACT Premium Front Load Lids



- Thermoformed Lid design.
- 30% thicker Hinge-Line than the Standard Lid.
- Robust 6 Knuckle Hinge-Line to prevent breakage & Lid Rod warping.
- Unparalleled rebound ability when crushed or damaged.
- Color options with reduced environmental impact.

Part #	Dimensions	Color	Container Size
3641P	36" x 41"	Black	2 Yard
3648P	36" x 48"	Black	3, 4 Yard
3658P	36" x 58"	Black	6, 8 Yard

IMPACT Standard Front Load Lids



- Thermoformed Lid design.
- Robust 6 Knuckle Hinge-Line to prevent breakage & lid rod warping.
- Unparalleled rebound ability when crushed or damaged.
- Color options with reduced environmental impact.

Part #	Dimensions	Color	Container Size
3641S	36" x 41"	Black	2 Yard
3648S	36" x 48"	Black	3, 4 Yard
3658S	36" x 58"	Black	6, 8 Yard

CONTAINER LIDS

Sliding Side Door Lid



- Innovative design keeps lid secure in the track
- Easy-to-use side handles, which can be easily drilled for chain lock
- Thermoformed lid has no seams or parting lines susceptible to breakage
- Made in USA

Part #	Dimensions	Color
3024P	30" x 24"	Black
3000P	30" x 30"	Black

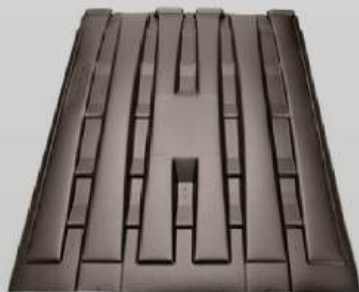
Side Load Lid



- New flex bar helps lid rebound quickly from crushing
- No seams susceptible to breakage
- Consistent wall thickness throughout lid
- Flexibility allow lid to bend and return for maximum durability
- Made in USA

Part #	Dimensions	Color
SL3030P	30" x 30"	Black
SL3031P	30" x 31"	Black

Impact Rear Load Lid



Part #	Dimensions	Color
3151P	31" x 51"	Black
3155P	31" x 55"	Black
3158P	31" x 58"	Black

CONTAINER REPLACEMENT BOTTOMS

Standard size pre-fabricated replacement bottoms



- Made with only certified domestic 11 Gauge Steel
- 90 degree, precision folded 8" sides
- Two full length, 90 degree bent rails - 2" x 4"
- Includes drain hole (drain plug purchased separately)
- Made in Riviera Beach, FL
- Standard sizes & Custom sizes available



CASTERS & CASTER PADS

Swivel & Rigid Caster Wheels

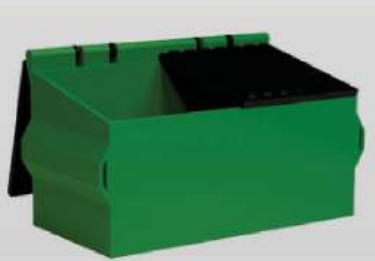


- Heavy Duty Design 6 x 2"
- Chemical Resistant
- Oil/Gas Resistant

Caster Pad



- Carriage bolt and nylon lock nut included
- Fits standard top plate casters
- Made of 10 gauge steel



Caster pads are a cost-effective solution that can help reduce both time and labor expenses. They're designed to make it simple to replace worn or damaged caster wheels without the need for re-welding. This efficient system lets you swap out casters quickly, avoiding unnecessary downtime and repair costs.

CONTAINER REPLACEMENT ACCESSORIES

Lid Rods



- Includes pre-drilled hole for Cotter Pin
- Includes Washer, Lock Nut and Cotter Pin
- Available for all sized Front Load Containers

Manual Lockbar Kit



- 7.5" preassembled arms for easy installation
- Bolt or weld on options
- Universal fit for all front load containers
- Sch. 40 x 3/4" - Cross Bar Included

Gravity Lockbar Kit



- Built in stop holds bar off lids to avoid damage
- Crossbar extends completely over lids for maximum security
- Universal fit for all flat or sloped containers
- Sch. 40 x 3/4" - Cross Bar Included

CONTAINER REPLACEMENT ACCESSORIES

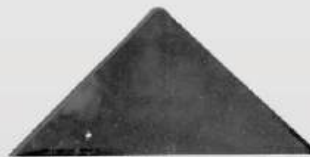
Lead-in-Gusset

- 3/16" Carbon Steel



Gusset

- 1/4" Carbon Steel (5"x5")
- 3/16" Carbon Steel (4"x4")



Formed Lead-in-Gusset

- 3/16" Carbon Steel Plate



Hinge Ear

- 1/4" Carbon Steel Plate
- 9/16" Diameter Rod Holes
- Flat surface for ease of welding



CONTAINER REPLACEMENT ACCESSORIES

Drain Flange Plugs



- 2" Sponge Plug
- 1.5" Plastic Hex Style Drain Plug
- 1.5" Plastic Square Style Drain Plug

Drain Flange



- 1.5" Drain Flange
- NPT threaded connection

ABUS Locks 55/40



- Solid Brass padlock with two keys
- Keyed alike

CONTAINER REPLACEMENT ACCESSORIES

Pre-Fabricated Replacement Pocket Sleeves



- 10 Gauge & 3/16" Carbon Steel Options
- 30" & 36" Length Options
- Reinforced Lead in
- (6) Gussets

BEFORE



AFTER



CONTAINER REPLACEMENT ACCESSORIES

Pre-Fabricated Replacement Pockets



- 10 Gauge & 3/16" Carbon Steel Options
- 30" & 36" Length Options
- Full back panel with gussets

BEFORE



AFTER



GT SUPPLIES - EXTRAS



ROLL OFF TRUCK PARTS

TARPS & DIAPERS

BINDERS & STRAPS

ABSORBANTS & RAGS

ROLL OFF TRUCK PARTS

Roll Off - Cable

- 7/8" x 80'
- 7/8" x 91'
- Comes with button
- Container hook sold seperately



Cable Mount Ferrule - 7/8"

- 3" H x 2" W



Cable Wedge - 7/8"



Roll Off Cable Clamp - 7/8"

- Secures the roll off cable



ROLL OFF TRUCK PARTS

Valve Handle Housing Assembly

- For 40 GPM Valve
- 8" & 10" Valve Handle sold separately



3" Side Roller Assembly

- Complete Side Roller Assembly 4" Diameter 3" Wide Roller
- Includes Pin Mount, Retaining Washer and Fastener



4" Side Roller Assembly

- Complete Side Roller Assembly 4" Diameter 4" Wide Roller
- Includes Pin Mount, Retaining Washer and Fastener



GT SUPPLIES - TARPS

Clam Shell Tarp - Mighty Mesh

- 84" x 20'
- Strongest Truck Tarp Material available today
- Double-Folded Hem
- Grommets Every 4'
- 6" Pocket
- Spline Sewn into Front Hem



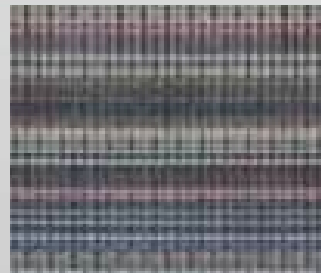
Roll Off Tarp - Mighty Mesh

- Rectangular 8' x 28' construction
- Tapered pocket end for ease of installation and enhanced appearance
- Replacement tarp fits all brands of hydraulic roll-off tarpers



Compactor Diapers

- 5' x 7'
- PVC Mesh - Industry standard truck tarp material



GT SUPPLIES - DIAPERS

Gorilla Diapers



Available in 5'x7' & 6'x8'



- Industrially sewn and made in the USA
- Hi-visibility reflective band
- Installs in 60 seconds or less
- 4x stronger than industry standard diapers
- Built-in straps with hooks for quick connections
- 3" loops and grommets for additional connections
- Folds flat for easy storage

GT SUPPLIES - HOLD DOWNS

Ratchet Load Binders

- 3/8" - 1/2" Grade 70 Forged
- 9200lb. Working Load Limit
- Weight: 11lbs



Ratchet Clevis Load Binder

- 1 x 10 - Grade 70 Forged
- Weight: 13lbs



Heavy Duty Hold Down Strap

- 4" hook with a 5' roll off strap for a 2" rail



GT SUPPLIES - HOLD DOWNS

Gunk Hold-Zit Rubber Tie Downs

- Available in 15", 22" & 31" Lengths
- 3/4" W
- 120lb Capacity



Carabiner Clip

- Zinc Plated Steel
- 500lb. Weight Capacity
- 7/16" Thick
- 3 15/16" Inside Length
- Straight Open Latch Position



ABSORBANTS & RAGS

Spill Kits

- (10) 15" x 19" Oil Pads
- (2) 3" x 48" Socks
- (1) Disposal Bag
- (1) Pair of Nitrile Gloves



WP100M / WP200S - Oil pads

- (100) 15" x 19"
- (200) 15" x 19"



Turkish Towels

- (50lb) box of white Turkish Towels



Colored Knit Rags

- (50lb) box of reclaimed colored knit rags, from T-Shirts





7010 Barbour Road
Riviera Beach, FL 33407
561-881-8101
Admin@GTsupplies.com

www.GTsupplies.com